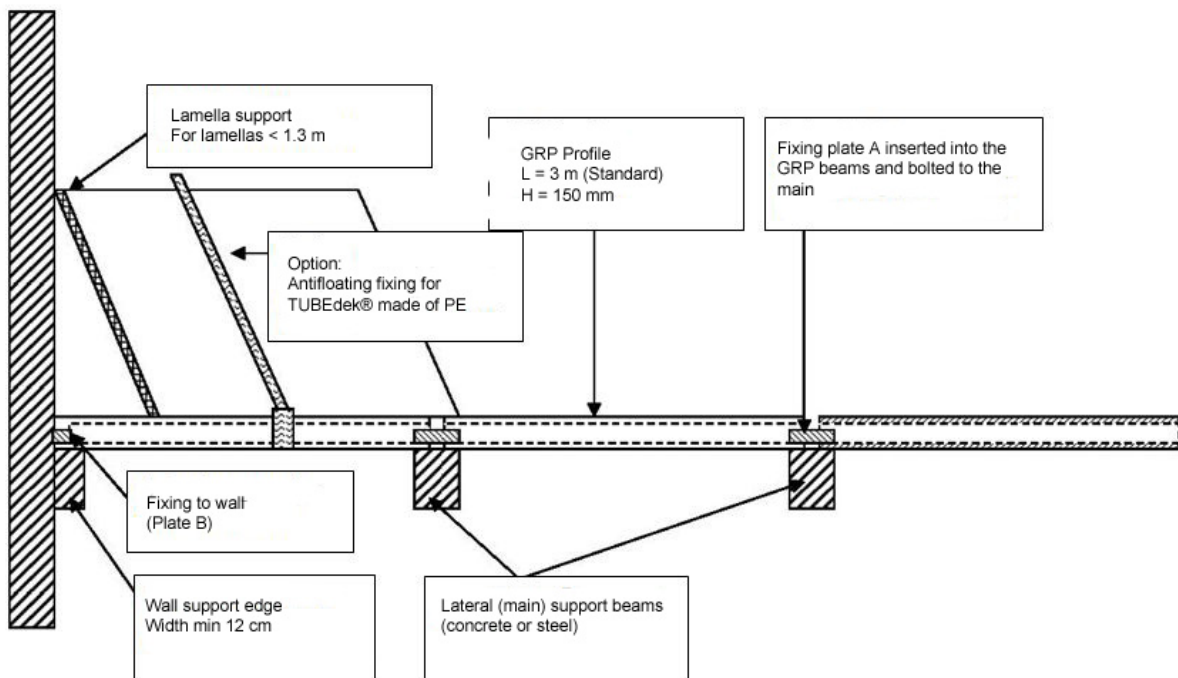
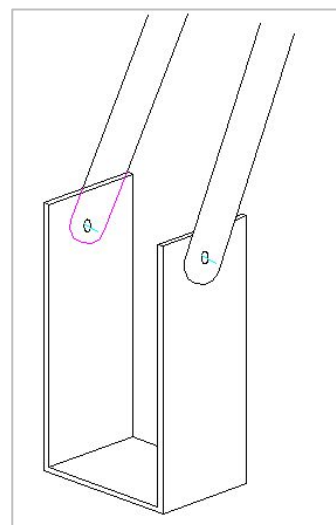


GRP 2H TUBEDEK® SUPPORT

ENEXIO Water Technologies delivers support systems especially designed for 2H TUBEdek® modules. The use of these systems minimizes turbulences and sludge deposit.

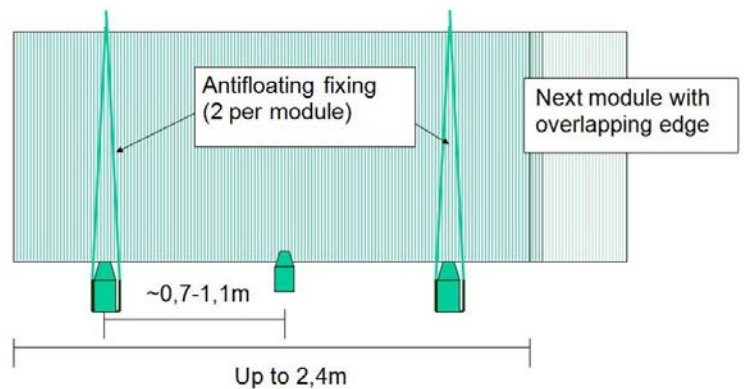


2H TUBEdek® on support
Beam is below the side wall of the 2H TUBEdek® channel,
providing a strong support and minimizing the influence
on the process



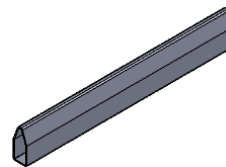
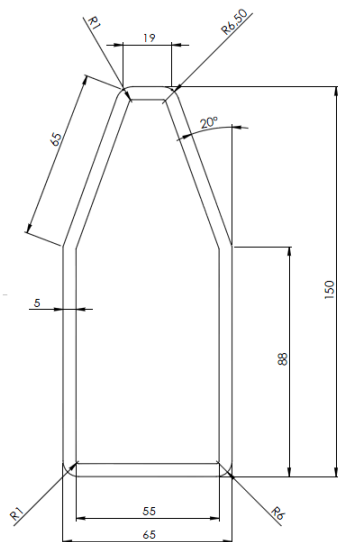
Antifloating system for PE
Fixing to the beam

The GRP support can be applied with two or three beams per module. In general, 2H TUBEdek® modules are supplied with half channels on either side. These half channels can overlap and thus compensate building and 2H TUBEdek® tolerances.



Above the central beam the 2H TUBEdek® receives a longitudinal groove. This ensures that the GRP beam sits correctly under the edge of the channels. To compensate the groove, the central beam sits on a 5 mm thick support plate. The spacing between the beams must be designed correctly, so that all beams sit under the edges of the channels.

The GRP beams can be loaded up to 500 kg for the standard length of 3 m. We recommend designing waste water applications with a load of 250 kg/m³ of 2H TUBEdek® and potable water applications with 150 kg/m³ of 2H TUBEdek® (Tank drained and 2H TUBEdek® loaded with sludge). Yet it stays in the responsibility of the customer to calculate and to control the applicable load.



GRP Beam:

Length: 3 m (Standard)
Other length upon request
Resin: UP
Weight: 3.5 kg/m

This information has been put together with greatest care. Nevertheless we reserve the right to make changes at any time without notice. We recommend checking with us whether this information is still fully valid, before using it for final designs. We do not take any liability when superseded versions of this information are used.

ENEXIO Water Technologies s.r.o.
Teplicka 22, 40701 Jilove, Czech Republic
Tel: +420 412 545 465, FAX: +420 412 545 466
info@enexio-2h.cz, www.enexio-2h.cz, www.enexio.com

Rev4- February 2017